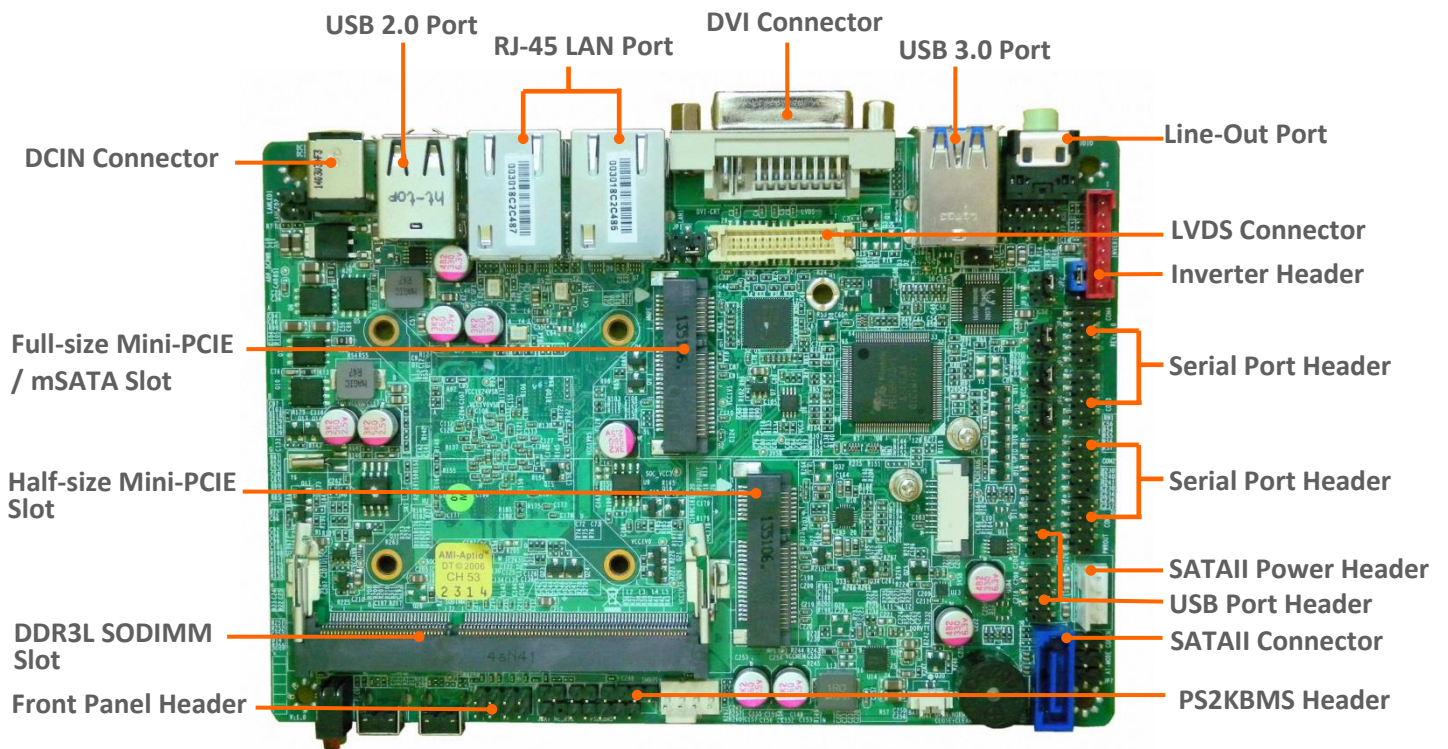


NC-889N

Bay Trail 3.5" SBC

Datasheet Version 0.1



Feature	Specification
CPU	NC-889N: INTEL Bay Trail 4-core N2930 CPU, 1.86GHz, 7.5W TDP
Memory	1 x SO-DIMM DDR3L 1600MHz, up to 4GB
Storage	SSD 16GB Msata 3ME MLC
Power Management	ACPI S3 Compliant, support, Power saving mode
DVI-I	Integrated 7th Intel Graphics support DX11, OGL3.2, max. 1920x1200 resolution
LVDS	24 bit Dual Channel LVDS, max 1920 x 1200
Storage	1 x SATA II (3GB/s) Device Support 1 x mSATA/full size mini-PCIe socket
Ethernet	Realtek RTL8111G Gigabit LAN x 2
USB	7 x USB 2.0 host ports + 1 x USB 3.0 host port
Mini PCIe Socket	1 x full-size mSATA / mini-PCIe mini-PCIe socket 1 x half-size mini-PCIe socket
COM	1x RS-232/422/485, 3x RS-232
GPIO	Up to 8 lines (4 in/4 out)
BIOS	AMI UEFI
Sound I/O	Analogue stereo output, line-in; 3.5mm jacks. Realtek ALC662 HD Audio Codec
Dimension	146 x 102 mm
Power Input	9-24VDC-IN
Power Consumption	10W (depending on load)
Operating Temperature	0°C to 60°C